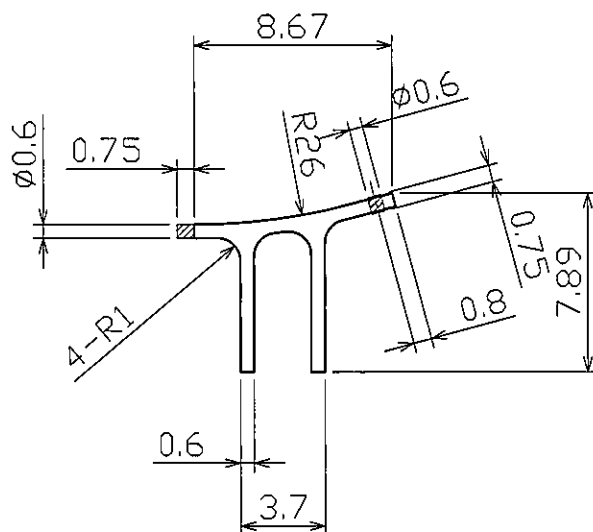
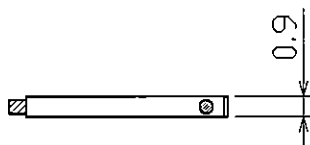


DATE	CHG No.	ALTERATION



バレル研磨にてR0.2もしくは機械加工で0.2R

材質：インコネル600 t0.9mm				
NAGAHARA DESIGNED_BY	2018/4/18 CHECKED_BY	Trial production FILENAME	バレル研磨	3/1 SCALE
MIYAMA.INK		個数 : 6		
MK06P-SH-4-0418-(INC)			EDITION	A4 SHEET